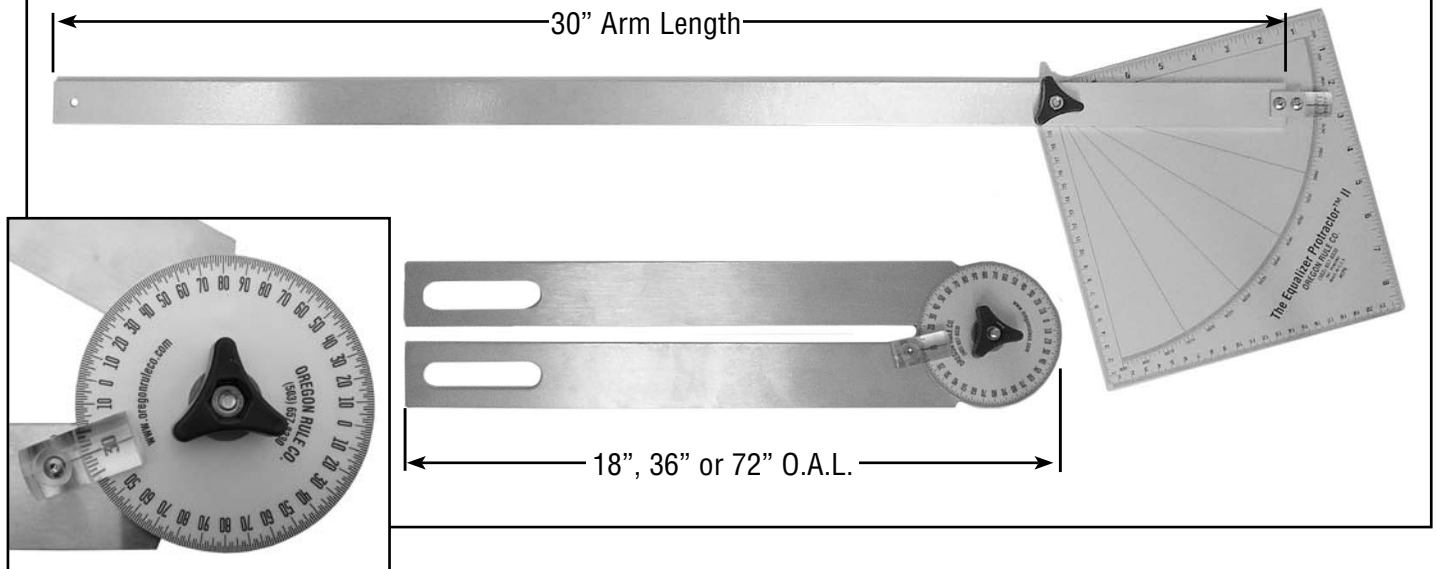


Equalizer™ Protractors

These protractors tackle large jobs.



Both styles include a black easy-grip locking knob, adjustable clear plastic magnifying pointer, non-corrosive hardware, easy to read numbers, a hang hole for storage, and a composite brake material for locking arms in place. All protractors except the 72" Dual Arm available with a Carry Case.

The single arm Equalizer™ Protractors come with either a 1/8" thick x 9" square clear polycarbonate or aluminum plate. The four edges of each plate are graduated; (1) 1/16" graduated left-to-right, (1) 1/16" graduated right-to-left, (1) 22 1/2 cm graduated left-to-right, (1) 22 cm graduated right-to-left. The degree scale is graduated to 1/2 degree with 1/4 degree readings possible.

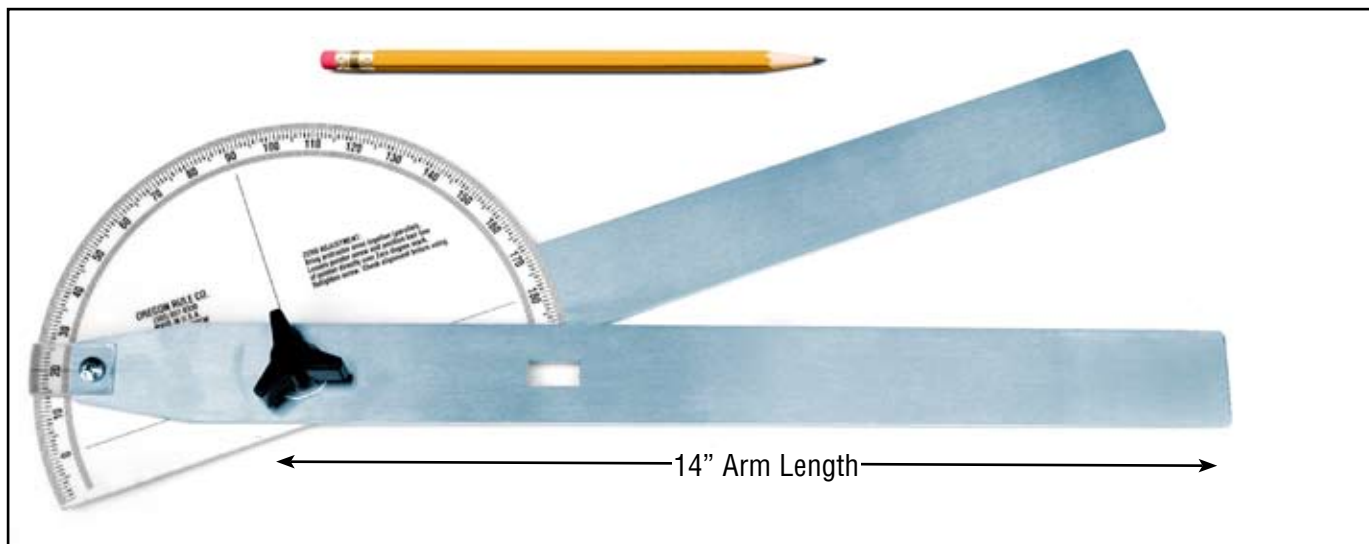
The dual arm Equalizer™ Protractors 18" & 36" lengths, are made of anodized aluminum for corrosion resistance and have hang holes. The 72" dual make of 1/4" tk aluminum. The 4" diameter dial is graduated to 1 degree, with 1/2 degree readings possible. Arms rotate 270 degrees.

Various elements of industry find these protractors a much needed necessity to accurately measure/set-up angles, saving time and money in the process. Used by: Engineers, Welders/Fitters, Sheet Metal Fabricators, Tube and Pipe Fabricators, Wood Workers, Drafts Persons, Inspectors, etc. Related products; Check out our large Angle-Max™ stainless steel angles and Pocket Rocket™ pipe diameter calipers in our main catalog. ORC also makes specials to suit your application.

See our web site or call for specifics.

Line	Protractor Description	TK.	Weight	Part #	List Price
1	Single Arm Aluminum Plate with Carry Case	.125	2lb. 10oz.	EP-C9X36M+CC	\$ 122.95
2	Single Arm Aluminum Plate	.125	2lb. 2oz.	EP-C9X36M	\$ 104.95
3	Single Arm Polycarbonate Plate with Carry Case	.125	2lb. 2oz.	EP-C9X36P+CC	\$ 95.40
4	Single Arm Polycarbonate Plate	.125	1lb. 10oz.	EP-C9X36P	\$ 78.45
5	Single Arm Carry Case	N/A	8oz.	EP-9X36/CC	\$ 20.15
6	18" Dual Arm with Carry Case	1/8	1lb. 2oz.	EP-C4X18DA+CC	\$ 111.30
7	18" Dual Arm	1/8	14oz.	EP-C4X18DA	\$ 97.50
8	18" Carry Case	N/A	4oz.	EP-4X18DA/CC	\$ 15.90
9	36" Dual Arm with Carry Case	1/8	2lb. 4oz.	EP-C4X36DA+CC	\$ 174.90
10	36" Dual Arm	1/8	1lb. 2oz.	EP-C4X36DA	\$ 157.95
11	36" Carry Case	N/A	8oz.	EP-4X36DA/CC	\$ 20.15
12	72" Dual Arm- Aluminum	.250	7lb.	EP-C4X72DA-AL	\$ 209.90

Precision Protractors



ORC manufactures a unique style of precision protractor, useful for many industrial and close tolerance applications. The 1½" wide protractor arms are laser cut for accuracy while the red hairline pointer is adjustable to set zero

accuracy, and the dial face is graduated to ¼ degree. One side is clockwise reading (shown), while the opposite side is counterclockwise reading.

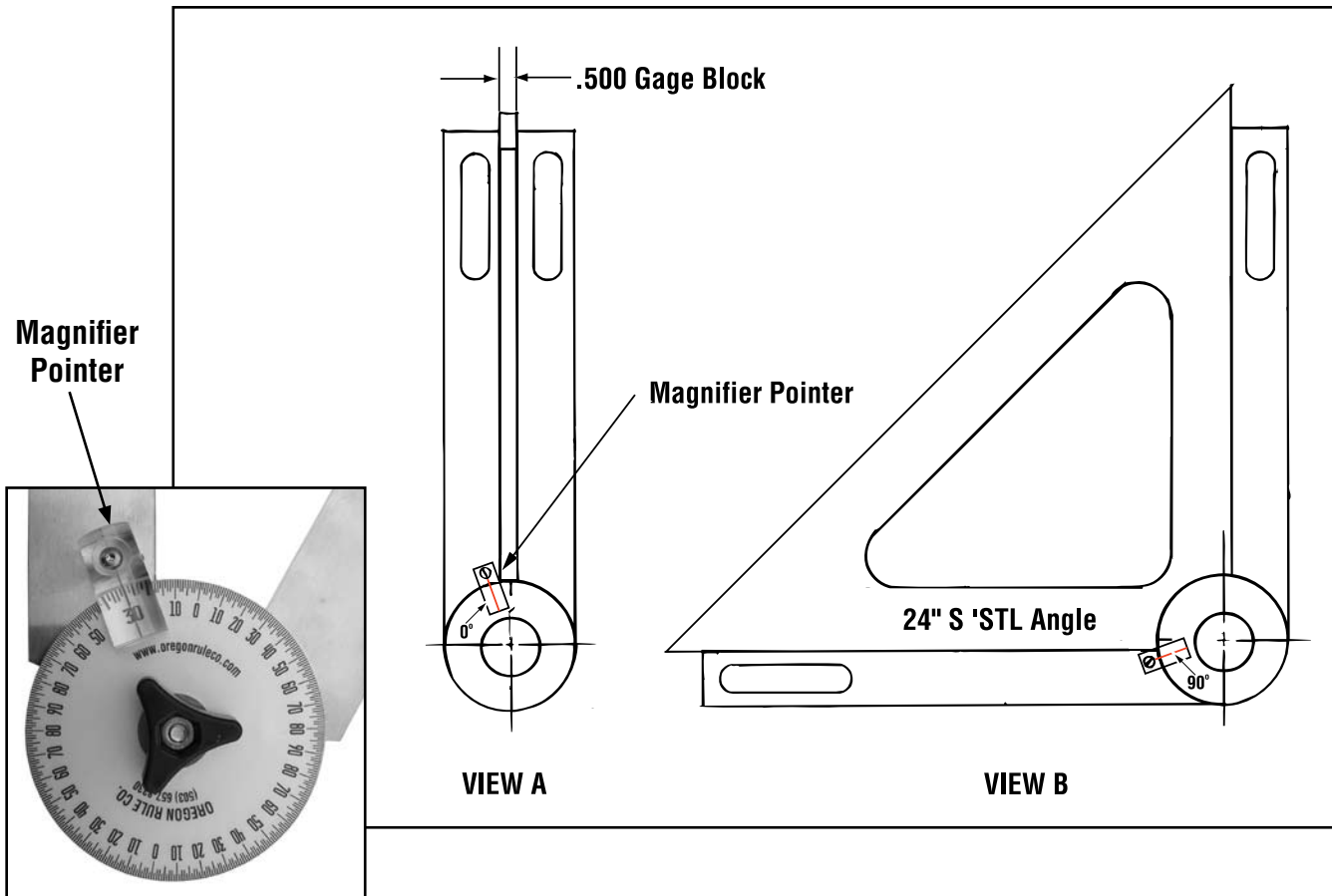
The bright white 8" semicircle dial faces are contrasted by the sharp black degree scale graphics. The ¼ degree graduations are separated in their own channel from the other degree marks simplifying the visual recognition process. All lines are 0.009 thick, providing a crisp easy-to-read instrument. Also, while most protractors are only numbered every 10 degrees, ORC's Precision Protractor is numbered every degree. This eliminates the need to count lines which can result in misreads. The black easy grip hand knob combines with a composite break material (under the top arm) for locking arms in place. Aluminum arms are black powder coated.

Note: Arm Length is from pivot point to end of arm.

Other special protractors are possible using this unique graphic degree design. Contact us with your requirements.

ORC Part #	Material	Thickness	Weight	Arm Length	List Price
PP8X14DA-180CW/CCW-SS/CC	Stainless Steel	12GA	2 lb. 8oz.	14"	\$84.75
PP8X14DA-180CW/CCW-AL/CC	Aluminum	.125	1 lb.	14"	\$79.45
PP4X14DA/CC Carry Case Only	Washable Nylon	N/A	4 oz.	N/A	\$12.65

How To Calibrate Dual Arm Equalizer™ Protractors



INSTRUCTIONS:

Check the set accuracy of the pointer each time before using the protractor. The pointer is adjustable and thus subject to extraneous forces, specifically when the dual arms are forced together.

Two methods are shown in the diagrams above that can quickly determine if the caliper has to be re-zeroed. If required, simply loosen the pointer screw, move the pointer into alignment and retighten.

Note: The bottom arm is reverseable. This allows a sharp object to be measured without interference from the dial plates. In this circumstance, the pointer has to be remounted to the other side of the arm. Follow previous instructions to zero points.